

INFORMATION PAGE – UPDATE COMPONENTS

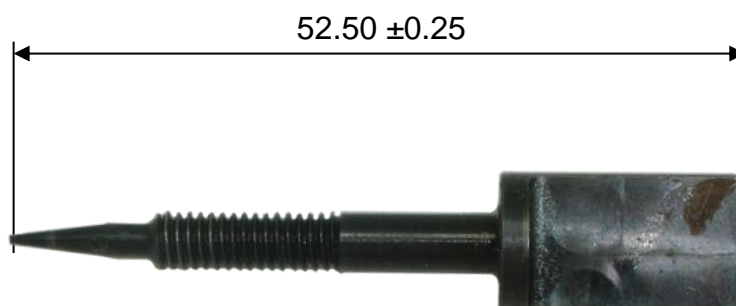


CARBURETTOR
Tillotson HW-31A



NEW CLEARANCE NEEDLE LOW SPEED
NEW TOLLERANCE DES VIS DE RAGLAGE BAS-REGIME

P. N. 43-1034



NEW CLEARANCE NEEDLE HIGH SPEED
NEW TOLLERANCE DES VIS DE RAGLAGE HAUT-REGIME

P. N. 43-1034

